

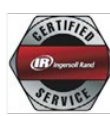
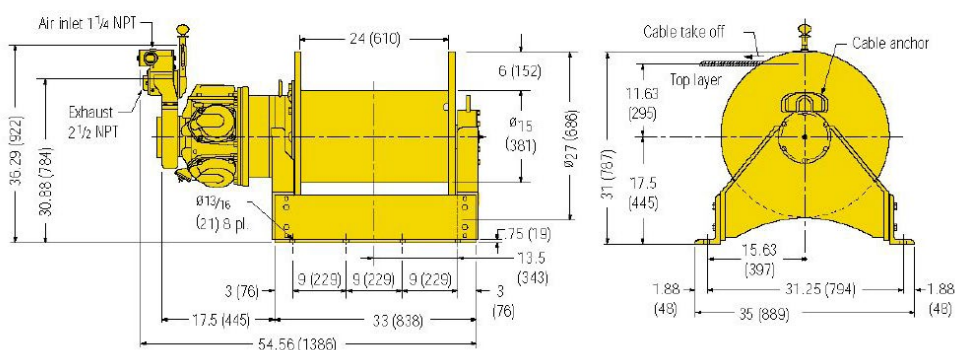


FA5-24XK1 (24") Air Winch



FA5-24XK1 (24") Air Winch	
Rated capacity	5000kg with 350m x Ø19mm on drum
Performance	Line speed on 7th layer at rated load = 16.0m/min (54 fpm) Stall on 1st layer = 10.9T
Air consumption at rated line pull	19.9m³/min (700 cfm) at 6.2 bar (90 psi) via Ø1½" hose
Braking	Automatic failsafe multi-disc brake, spring applied and air released
Net Weight	900kgs
Extras	Self-returning throttle mounted on winch Secondary base can be provided

FA5-24 with disc brake only in inches (mm)



For more information on how Fisher Offshore can add value to your offshore operations visit www.fisheroffshore.com

or contact one of our specialist consultants at info@fisheroffshore.com or call +44 (0) 1651 87 39 32

Fisher Offshore, North Meadows, Oldmeldrum, Aberdeenshire, Scotland AB51 0GQ



FA5i-24XK1 Air Winch

FA5i-24XK1	Core dia	381	flnge dp	152	Drum wd	610
Rope Ø mm	14	16	18	19	20	22
Turns/Layer	41.9	36.6	32.6	30.9	29.3	26.6
Layer	metre	metre	metre	metre	metre	metre
1	52	46	41	39	37	34
2	108	95	85	81	78	71
3	167	148	134	127	122	112
4	230	205	185	177	170	157
5	297	265	241	231	221	206
6	367	329	300	288	277	258
7	441	397	363	349	336	
8	519	469	430	413		
9	600	544				
10	685					
11	774					



For more information on how Fisher Offshore can add value to your offshore operations visit www.fisheroffshore.com

or contact one of our specialist consultants at info@fisheroffshore.com or call +44 (0) 1651 87 39 32

Fisher Offshore, North Meadows, Oldmeldrum, Aberdeenshire, Scotland AB51 0GQ