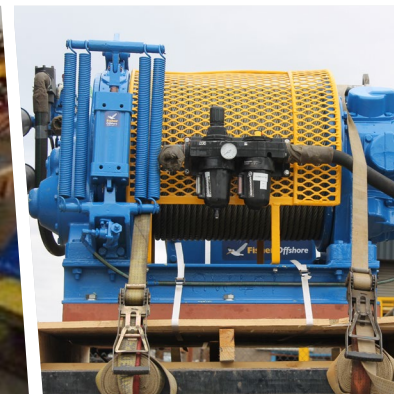
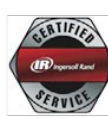
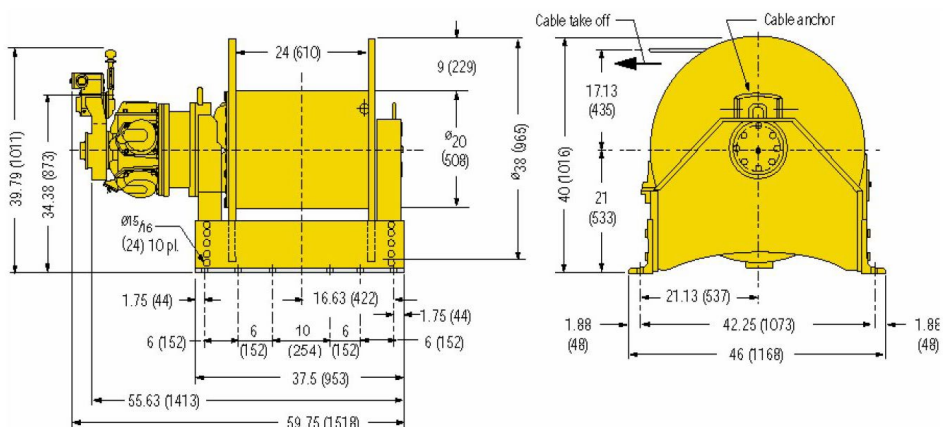
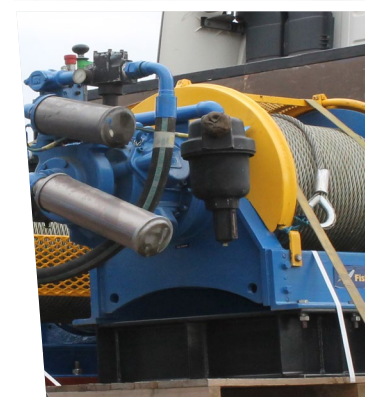




# FA10-24XK1 (24") Air Winch



FA10-24XK1 (24") Air Winch	
Rated capacity	10000kg with 406m x Ø26mm on drum
Performance	Line speed on 3rd layer at light load = 14.5m/min (48 fpm) Line speed on top layer at rated load = 7.0 m/min (23 fpm) Stall on 1st layer = 17.27T
Air consumption at rated line pull	22.7m <sup>3</sup> /min (800 cfm) at 6.2 bar (90 psi) via Ø1½" hose
Braking	Automatic failsafe multi-disc brake, spring applied and air released
Net Weight	1600kgs
Extras	Self-returning throttle mounted on winch Secondary base can be provided

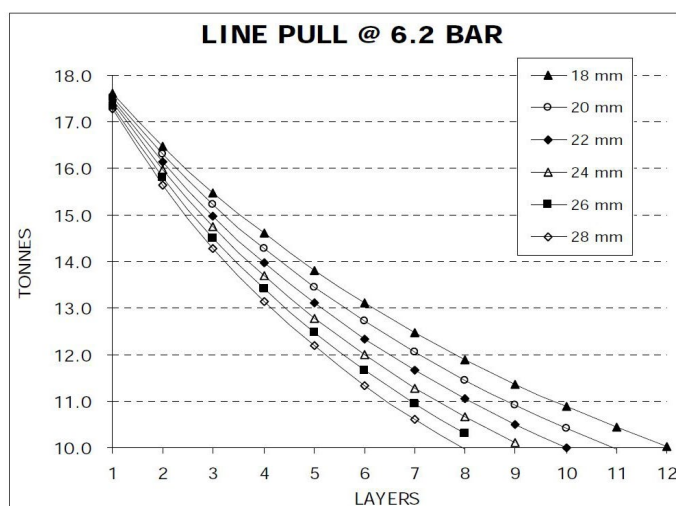


For more information on how Fisher Offshore can add value to your offshore operations visit [www.fisheroffshore.com](http://www.fisheroffshore.com) or contact one of our specialist consultants at [info@fisheroffshore.com](mailto:info@fisheroffshore.com) or call +44 (0) 1651 87 39 32  
Fisher Offshore, North Meadows, Oldmeldrum, Aberdeenshire, Scotland AB51 0GQ



# FA10-24XK1 Air Winch

FA10-24XK1	Core dia	381	flnge dp	152	Drum wd	610
Rope Ø mm	18	20	22	24	26	28
Turns/Layer	32.6	29.3	26.6	24.4	22.5	20.9
Layer	metre	metre	metre	metre	metre	metre
1	54	49	44	41	38	35
2	111	101	92	85	79	74
3	173	157	144	134	125	117
4	237	217	200	185	173	163
5	306	280	259	241	226	213
6	378	347	321	300	282	267
7	454	418	388	363	342	324
8	534	492	458	430	406	385
9	617	570	532	500		
10	704	652	609			
11	795	737				
12	889					



For more information on how Fisher Offshore can add value to your offshore operations visit [www.fisheroffshore.com](http://www.fisheroffshore.com)

or contact one of our specialist consultants at [info@fisheroffshore.com](mailto:info@fisheroffshore.com) or call +44 (0) 1651 87 39 32

Fisher Offshore, North Meadows, Oldmeldrum, Aberdeenshire, Scotland AB51 0GQ