

Product Features and Specifications

FA5Ti Infinity Series Winch - Capacity: 8,400 lbs (3818 kg)

PFS-FA5Ti-09072010

Rugged Compact and Versatile Design

- Meets ANSI / ASME B30.7
- 5:1 design factor at rated load
- Top layer rated line pull
- "Lift to shift" winch mounted lever throttle
- Minimum 18:1 drum diameter to wire rope diameter ratio
- Compact gearbox-in-drum design
- Standard design temperature range is 0°C through 60°C
- Group of mechanism as per FEM: 5m
- Pre-certified lifting lugs

Suitable for Hazardous Explosion Proof Environments

- Flameproof by design. Air motors (unlike electric motors) are inherently spark resistant.
- ATEX classification (as per directive EC 94/9/EEC). CE compliant models marked EX II 2 GD c 200°C X

Powerful Radial Piston Air Motor

- Positive starting torque
- Infinitely variable speeds with precision spotting control
- Superior reliability in harsh environments

Brake Systems

- Manual drum brake standard
- Optional auto drum brake and /or auto disc available
- Fully enclosed automatic oil bath "wet" disc brake sealed against moisture and contaminants
- **Ingersoll Rand recommends the use of automatic brakes whenever a winch is used for lifting**

CE compliant versions provided with:

- Drum guard
- Overload protection (preset regulator)
- Emergency stop
- Muffler
- Automatic brake
- Limit switches
- CE documentation



FA5Ti with optional Auto Disc Brake and Drum Guard

Options and Accessories

- DNV & ABS Type Approved models available
- Low temperature versions
- Overload and E-stop control system
- Remote controls
- Limit switches
- Tensioning manifold
- Drum guards*
- Grooved drums
- Drum divider flanges
- Drum locks
- Spooling devices
- Marine paint systems
- Air line accessories

* Ingersoll Rand recommends using Drum Guards with all winches to prevent inadvertent contact with winch moving parts



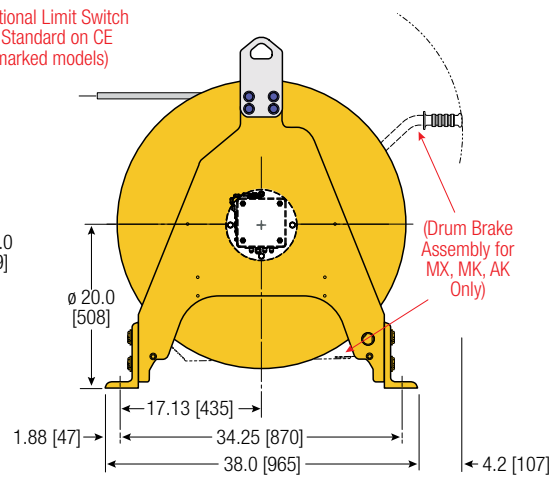
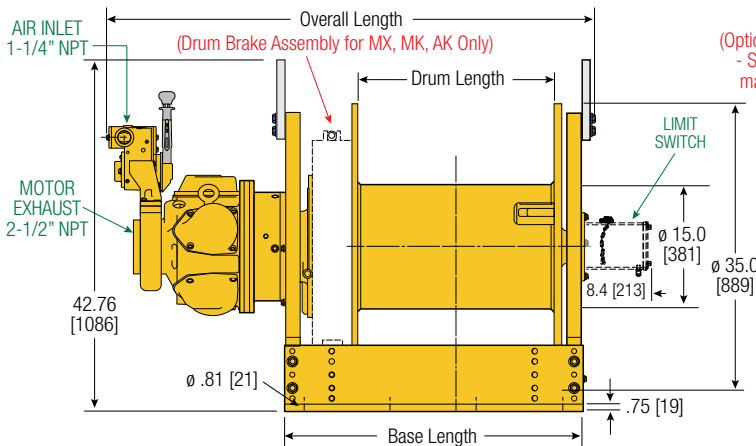
Quality Engineering...
Safely Today

IR Ingersoll Rand
Industrial Technologies

Product Features and Specifications

FASTi Infinity Series Winch - Capacity: 8,400 lbs (3818 kg)

PFS-FASTi-09072010



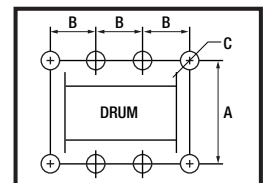
FASTi-161** (MX) = Manual drum brake only
FASTi-241** (MK) = Manual drum & auto disc brakes
 (AK) = Automatic drum & auto disc brake
 (XK) = Disc brake only

Dimensions shown are inches.
 Dimensions in Brackets [] are mm.
 Dimensions are subject to change.
 Contact factory for certified drawings.

Dimensions: FASTi and Bolt Down Pattern

	Drum Length 16" [406 mm]			Drum Length 24" [610 mm]		
	Drum & Disc Brakes (MK & AK)	Disc Brake Only (XK)	Drum Brake Only (MX)	Drum & Disc Brakes (MK & AK)	Disc Brake Only (XK)	Drum Brake Only (MX)
	in	mm	in	mm	in	mm
Overall Length	51.6	1311	47.4	1204	48.6	1234
Base Length	28.34	720	23.84	605	28.34	720
'A'	31.25	794	31.25	794	31.25	794
'B'	9.0	229	6.25	159	9.0	229
'C'	0.81	21	0.81	21	0.81	21
Total # Holes	6		6		6	

Bolt Down Pattern



'C' = Bolt Hole Inside Diameter

Lift Ratings at 5:1 Design Factor (Performance at 6.3 Bar - 90 PSI at air inlet when winch is operating)

Model #	Top Layer				First Layer				Average Air Consumption ⁽¹⁾	Sound Level ⁽²⁾	Inlet Size	Exhaust Size	Net Weight			
	hp	Rated Capacity lbs	kg	Speed ft/min	m/min	Rated Capacity ft/min	m/min	Stall Pull lbs					kg	lbs	kg	
FASTi	25.2	8,400	3818	70	21	57	17	23,594	10725	700	20	97	1-1/4"	2-1/2"	2,153	977

(1) Average Air Consumption is at rated load and speed at top layer (2) With optional muffler

Drum Wire Rope Storage Capacity - Imperial - Utility

Series	Rated capacity lbs	Rope Diameter in	Min Req Break Strength* lbs	Accumulated rope capacity in feet / number of layers													
				1	2	3	4	5	6	7	8	9	10	11	12	13	14
FASTi-16	8,400	3/4	42,000	84	175	274	381	495	617	746	883	1,028	1,180	1,339	1,507	1,681	1,864
		7/8	42,000	72	151	238	332	434	544	661	785	917	1,057	1,204	1,359		
FASTi-24	8,400	3/4	42,000	128	267	418	581	755	940	1,138	1,346	1,567	1,799	2,042	2,297	2,564	2,842
		7/8	42,000	110	231	364	508	664	832	1,010	1,201	1,403	1,616	1,841	2,077		

Drum Wire Rope Storage Capacity - Metric - Utility

Series	Rated capacity kg	Rope Diameter mm	Min Req Break Strength* kg	Accumulated rope capacity in meters / number of layers													
				1	2	3	4	5	6	7	8	9	10	11	12	13	14
FASTi-16	3818	19	19051	26	53	84	116	151	188	227	269	313	360	408	459	512	568
		22	19051	22	45	72	100	131	164	199	237	277	319	364			
FASTi-24	3818	19	19051	39	81	127	177	230	287	347	410	478	548	622	700	782	866
		22	19051	33	69	110	153	200	251	305	363	424	488	557			

* Note: The Minimum Required Breaking Strength for the wire rope needs to be the Rated Capacity multiplied by the Design Factor.
 Example: for the FASTi-16 (with a 5:1 Design Factor) 8,400 x 5 = 42,000 lbs.



Quality Engineering...
 Safely Today

Fisher Offshore

North Meadows, Oldmeldrum, Aberdeenshire, Scotland AB51 0GQ

Tel: +44 (0) 1651 873932

Fax: +44 (0) 1651 873939

ingersollrand@fisheroffshore.com

fisheroffshore.com

A James Fisher and Sons PLC Company