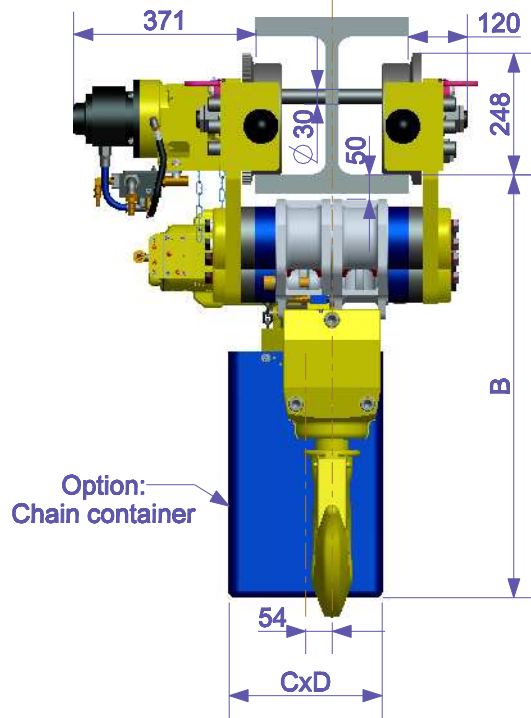


LIFTCHAIN LC2A Series LOW HEADROOM AIR CHAIN HOIST Model LC2A250QIP3LVE(N)...-E

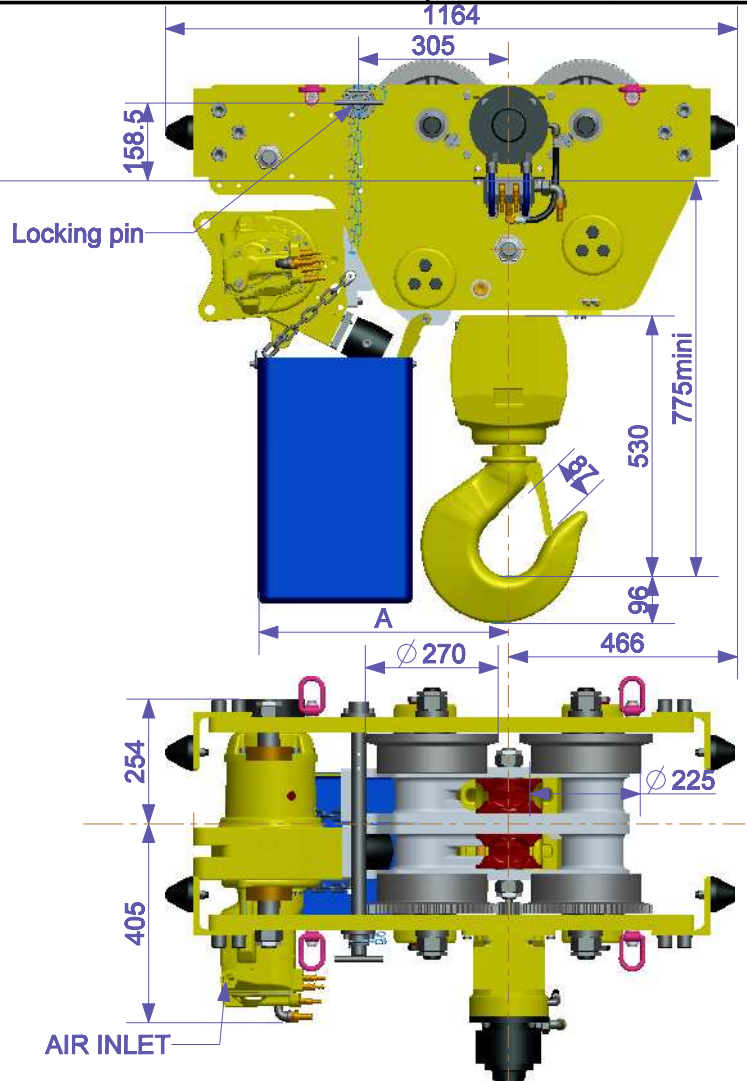
25ton lifting capacity

IREP Drawing Number	Rev.
09-10-14 - L645	A
Customer Drawing Number	
Folio:	1 / 1
Engineering Manager Approval: JLF	



Chain container dimensions (mm)

Height of lift	A	B	CxD
3m	510	860	315x315
6m	600	1060	400x400
10m	600	1060	550x400



Standard Features :

- Rugged and Compact modular design
- Design temperature -20°C
- Explosion proof - 100% duty rating - No downtime
- Gear type air motor on hoist and multi-vane air motor on trolley
- Overload protection device adjusted at factory during load tests
- Main air emergency stop at pendent (as per EN 418)
- Variable speed control at pilot pendent (4 buttons)
- Top and bottom limit switches integrated in hoist body for better protection
- Automatic fail safe disc brake on hoist and trolley (no adjustment required)
- Corrosion resistant load chain
- Individually load tested before shipment

*It is strongly recommended to use a lubricating and a filtration system on the compressed air line.
The compressed air temperature must not exceed 65°C at the motor air inlet.
For higher temperature, please consult us.*

Options:

- Gear type air motor on trolley (instead of vane motor)
- Spark resistant package for ATEX zone 1
- Chain containers
- Marine or offshore paint including sandblasting
- Rack and pinion drive

Ex classifications (ATEX)

- Standard version is suitable for Zone 2 (ATEX Marking Ex II 3 Gd c IIB 135°C x)
- Optional spark resistant package is suitable for Zone 1 (ATEX marking Ex II 2 Gd c IIB 135°C x)

FEM classification

- Driving mechanism classification 1Bm

Built in ISO 9001 certified factory

Technical data at 6.3 bar

Model	LC2A250Q
Rated Capacity (metricTon)	25
Falls of chain	4
Lifting speed at rated load (m/min)	0,5
Lifting speed at no load (m/min)	0,9
Lowering speed at rated load (m/min)	0,6
Travelling speed at rated load (m/min)	12
Travelling speed at no load (m/min)	15
Working pressure range (Bar)	4 to 7
Hoist air consumption at rated load (m ³ /min)	5
Trolley air consumption at rated load (m ³ /min)	1,9
Mini-Maxi trolley flange adjustment (mm)	170-310
Max. bottom flange beam thickness (mm)	40
Minimum curve radius (m)	10
Air inlet (BSP)	3/4"
Chain size (mm)	16x45
Chain Weight per meter of lift (kg)	22,8
*Weight with std lift (Kg)	740

**Net weight is given with standard lift of 3m and standard control length of 2m*