



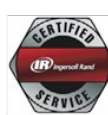
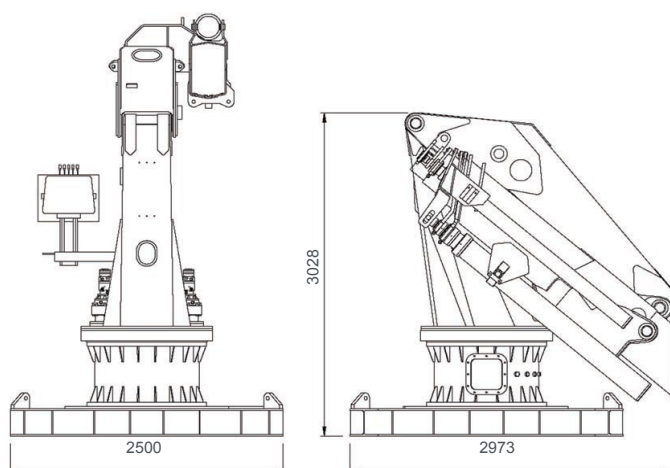
HLRM 90-5S Marine Crane



The HLRM 90-5S Marine Crane comes complete with skid assembly suitable for deck mounting and electric hydraulic power pack. The fitted winch is capable of lifting 5Te at all radius. Built to provide long term operation against harsh marine environments, with piston rods made from Nikrom 350 stainless steel pipes and fittings as standard.



HLRM 90-5S Marine Crane	
Winch Lifting Capacity	5000kg
Max Outreach	14.5m
Slewing Angle (continuous)	360°
Slewing Speed	0.7 rpm
Slewing Torque	9500 kg/m
Recommended Pump Capacity	100 l/min
Max Working Pressure	300 bar
Control	Mounted Operator Station
Crane Weight inc. base	12000kg



For more information on how Fisher Offshore can add value to your offshore operations visit www.fisheroffshore.com

or contact one of our specialist consultants at info@fisheroffshore.com or call +44 (0) 1651 87 39 32

Fisher Offshore, North Meadows, Oldmeldrum, Aberdeenshire, Scotland AB51 0GQ

HLRM 90-5S Marine Crane

